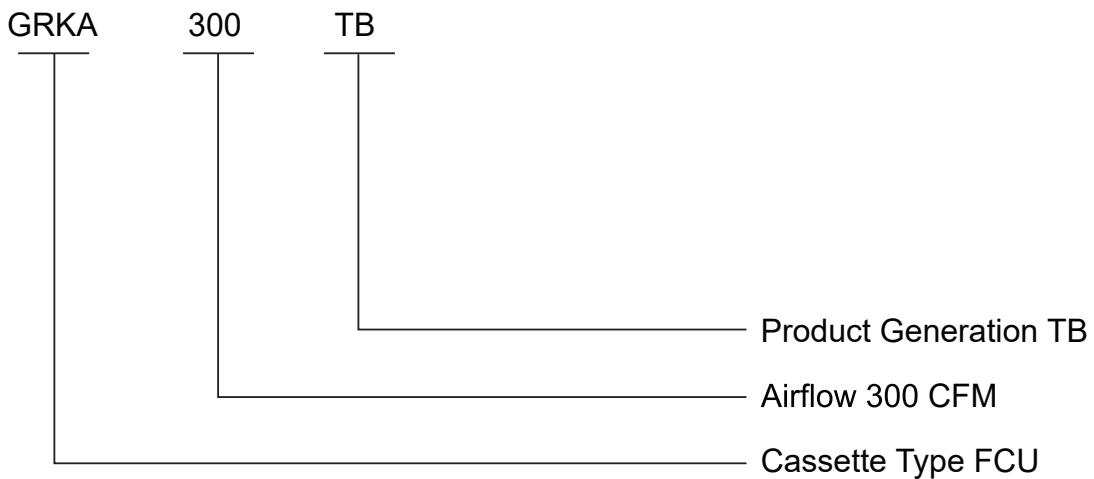
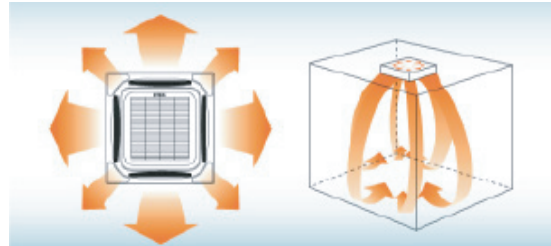



## Cassette Type FCU - GRKA



### Characteristics:

- 360° air outlet, no blind spot.
- Low noise  
The quality heat insulating and anechoic material is used to minimize the unit vibration and noise. The 3D aerofoil-type blade fan with a large diameter is used to ensure low speed and low noise.
- Compact design, built-in drain pump



Name	Model	Air Flow(CFM)	Cooling Capacity(W)	Heating Capacity(W)
GRKA (Cassette Type FCU)		300/400/500/600/ 800/1000/1200	2140~10800	4050~17000

# GRKA Cassette Type FCU

Model GRKA		300TB	400TB	500TB	600TB	800TB	1000TB	1200TB
Air Flow m <sup>3</sup> /h	High	510	680	820	1020	1360	1700	2040
	Medium	420	560	630	870	1150	1450	1750
	Low	350	460	500	715	950	1190	1430
Total Cooling Capacity W	High	2700	3600	4300	6000	8000	9500	10800
	Medium	2410	3100	3530	5150	6655	8285	9430
	Low	2140	2750	3010	4530	5860	6950	8200
Heating Capacity W	High	4050	5400	6450	10000	12500	15500	17000
Motor	Type	Split-capacitor motor with ball bearing						
	Insulation Class	B						
	Power Supply	220V~50Hz						
	Quantity	1						
	Rated Power Input	56	65	80	85	108	144	189
Coil	Type	Seamless copper tube mechanically bonded to aluminum hydrophilic fin						
	Max.Working Pressure Mpa	1.6						
	Inlet/outlet Pipe	Rc3/4 (Taper Pipe Female Threaded)						
	Condensing Pipe	Φ20						
	Water Flow Rate m <sup>3</sup> /h	0.48	0.64	0.94	1.1	1.42	1.7	1.85
	Water Pressure Drop kPa	30	30	30	35	40	40	50
Sound Pressure Level (High ) dB(A)		39	41	43	43	45	47	49
Body Dimension (Without Panel)	Length(mm)	570	570	570	840	840	840	840
	Width(mm)	570	570	570	840	840	840	840
	Height(mm)	250	250	290	230	310	310	310
Panel Dimension	Length(mm)	650	650	650	950	950	950	950
	Width(mm)	650	650	650	950	950	950	950
Net Weight kg		23	23	28	29	34	34	35

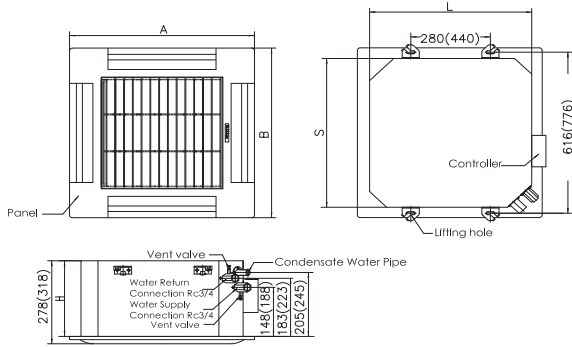
**Note:**

- Cooling capacity is based on the following:
  - Water temperature: 7°C (inlet)/12°C (outlet)
  - Air entering condition: 27°C DB/19.5°C WB
- Heating capacity is based on the following (with same water flow rate as cooling cycle):
  - Water temperature: 60°C (inlet)
  - Air entering condition: 21°C DB
- Air volume above is tested under units with nylon filter.
- The air volume is tested under entering air condition of 20°C DB and dry coil condition.
- The sound pressure level is based on 11.5dB(A) hemi-anechoic room background noise.
- Units supply blowing guide plate drive mechanism and remote control devices and pump.
- The manufacturer reserves the rights to make changes to the above specifications without prior notice.

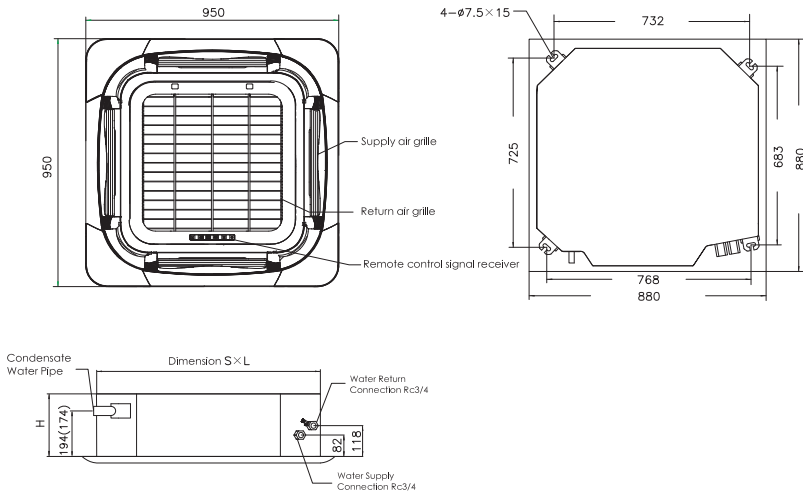
# Dimension

## Cassette Type FCU

GRKA 300-500(Dimension in brackets for GRKA 500)



GRKA 600-1200(Dimension in brackets for GRKA 600)



GRKA	GRKA 300	GRKA 400	GRKA 500	GRKA 600	GRKA 800	GRKA 1000	GRKA 1200
Panel Dimension (A x B)	650x650	650x650	650x650	950 x 950	950x950	950x950	950x950
Unit Dimension (S x L x H)	570x570x250	570x570x250	570x570x290	840x840x230	840 x 840 x 310	840x840x310	840 x 840 x 310